



DENSITY SIZER

Produces Tight-Spec Classification or Separating Minerals of Different Specific Gravities



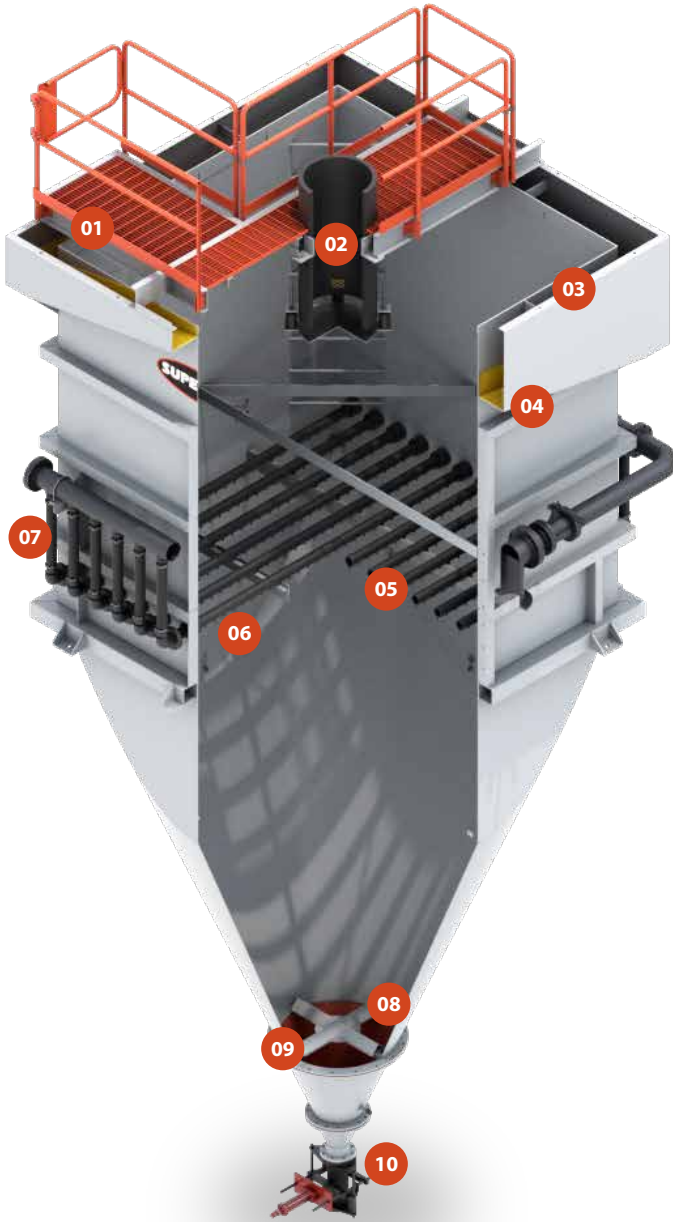
FEATURES

- » Patent pending, low friction, conical lower cone keeps material flowing, reducing rat holing or dead spots
- » Patented teeter bar system with external maintenance access
- » Easy clean-out manifold with flush system
- » Reliable hydraulically controlled valve excels in humid and freezing climates

APPLICATIONS

- » Produce consistent graded sand products
- » Tight control over particle separation
- » Separate minerals of different specific gravities
- » Remove lightweight contaminants (lignite and organics)

FEATURES



- 01/ WALKWAY WITH INTERIOR LADDER
- 02/ FEEDWELL CONSTRUCTED OF HDPE
- 03/ ADJUSTABLE WEIR PLATES
- 04/ URETHANE-LINED OVERFLOW
- 05/ PATENTED SLIDE-OUT TEETER BARS
- 06/ TEETER BAR NOZZLES INCREASE LIFE AND FLOWABILITY
- 07/ EASY FLUSH MANIFOLD SYSTEM
- 08/ PATENT PENDING CONE SHAPE IMPROVES FLOW
- 09/ URETHANE-LINED UNDERFLOW
- 10/ HYDRAULICALLY-CONTROLLED PINCH VALVE

OPERATING DIMENSIONS

	Square Feet ft ² (m ²)	Width inch (mm)	Depth inch (mm)	Height inch (mm)	Teter Water Flow Rate* gpm (cfs)	Overflow Pipe Size inch (mm)
DENSITY SIZER						
SR700	50 (4.6)	84 (2,135)	84 (2,135)	334 (8,485)	780 (1.7)	10 (255)
SR850	75 (6.9)	102 (2,590)	102 (2,590)	356 (9,040)	1,150 (2.5)	12 (305)
SR1000	100 (9.2)	120 (3,050)	120 (3,050)	378 (9,600)	1,600 (3.5)	14 (355)

* Water flow rate is based on a coarse 30 mesh separation of sand