



# STACKABLE CONVEYORS

Bundle Up to 8 Conveyors in One Load for Substantial Freight Savings



Rock Face to Load Out™



## OPTIONS



**TOW EYE**



**EXTERRA SFL DUAL**



**MOXIE ROLLS**



**RECEIVING HOPPER**



**HINGED TAIL BEND**



**HAND CRANK AXLE JACKS**

## PORTABILITY

- » Tow Eye

## OPERATION

- » 6-foot (1.8m) Discharge Support
- » Telescoping Tail Support Legs
- » Hinged Tail Bend

## MAINTENANCE

- » Exterra® Primary Belt Cleaner
- » Moxie® Rolls
- » Urathon® Return Rolls
- » Impact Rolls
- » Radial Receiving Hopper

## ENVIRONMENT

- » Epoxy Paint
- » Galvanized Paint

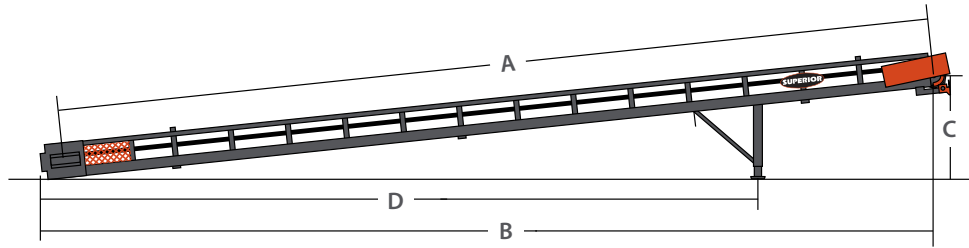
## OTHER

- » Belt Scale

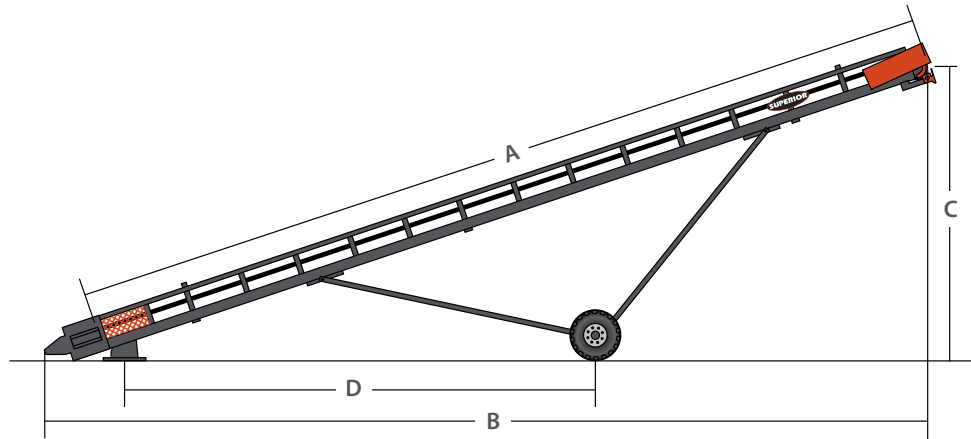
## STACKABLE PLUS

- » Heavier Truss
- » Anchor Pivot Plate
- » Tow Eye
- » Manual Raise Undercarriage
- » 9-foot (2.7m) Hinged Tail Bend
- » Hand Crank Axle Jacks

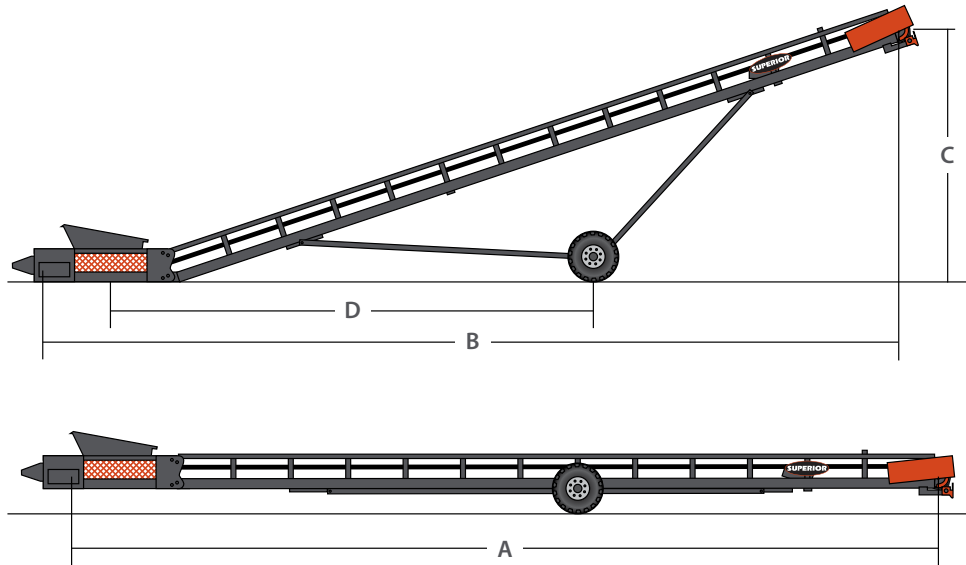
## SPECIFICATIONS



STACKABLE	50'	60'
(A) Conveyor Length (m)	50'-0" (15.2)	60'-0" (18.3)
(B) Conveyor Ground Length (m)	48'-8" (14.8)	59'-8" (18.1)
(C) Raised Height to Center of Pulley (m)	Up to 17'-11" (5.5)	Up to 21'-0" (6.4)
Lowered Height to Center of Pulley (m)	12'-5" (3.8)	12'-5" (3.8)
(D) Anchor Pivot to Center of Axle (m)	25'-5" (7.8)	31'-2" (9.5)



STACKABLE PLUS	50' CONVEYOR	60' CONVEYOR
(A) Conveyor Length (m)	50'-0" (15.2)	60'-0" (18.3)
(B) Conveyor Ground Length (m)	49'-2" (15.0)	57'-3" (17.4)
(C) Raised Height to Center of Pulley (m)	16'-7" (5.0)	19'-4" (5.8)
Lowered Height to Center of Pulley (m)	9'-0" (2.7)	7'-11" (2.4)
(D) Anchor Pivot to Center of Axle (m)	26'-10" (8.2)	32'-9" (10.0)
Maximum Stockpile Height - Feet (M)	18'-6" (5.7)	21'-6" (6.6)
Maximum Stockpile Capacity - Cubic Yards (M <sub>3</sub> )	430 (328)	680 (519)
18° Straight Incline - Tons (MT)	580 (526)	920 (834)



STACKABLE PLUS WITH BEND	50' CONVEYOR	60' CONVEYOR
(A) Conveyor Length - Center of Pulley to Center of Pulley (m)	50'-0" (15.2)	60'-0" (18.3)
(B) Conveyor Ground Length (m)	47'-5" (14.4)	57'-0" (17.3)
(C) Raised Height to Center of Pulley (m)	15'-5" (4.7)	18'-6" (5.6)
Lowered Height to Center of Pulley (m)	4'-6" (1.3)	4'-7" (1.3)
(D) Anchor Pivot to Center of Axle (m)	28'-2" (8.6)	38'-10" (11.8)
Maximum Stockpile Height - Feet (M)	19'-6" (6.0)	22'-6" (6.9)
Maximum Stockpile Capacity - Cubic Yards (M <sub>3</sub> )	490 (374)	780 (596)
19° Straight Incline - Tons (MT)	660 (598)	1,100 (997)