

## Technical data / delivery volume

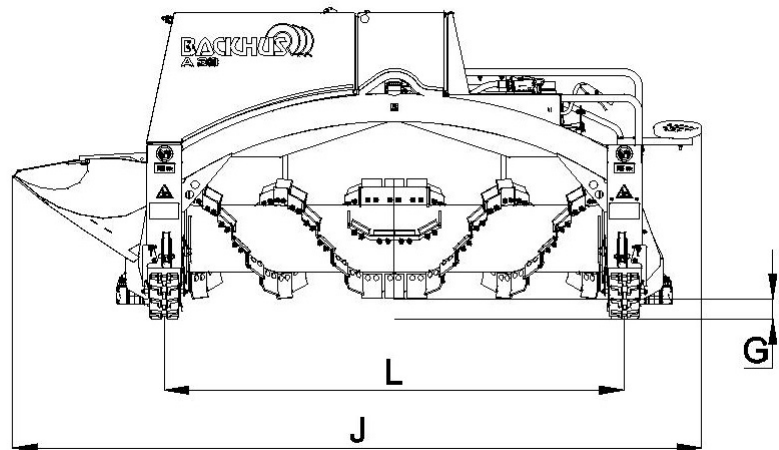
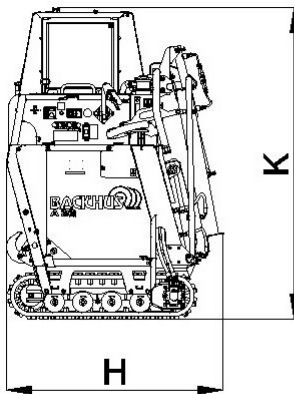
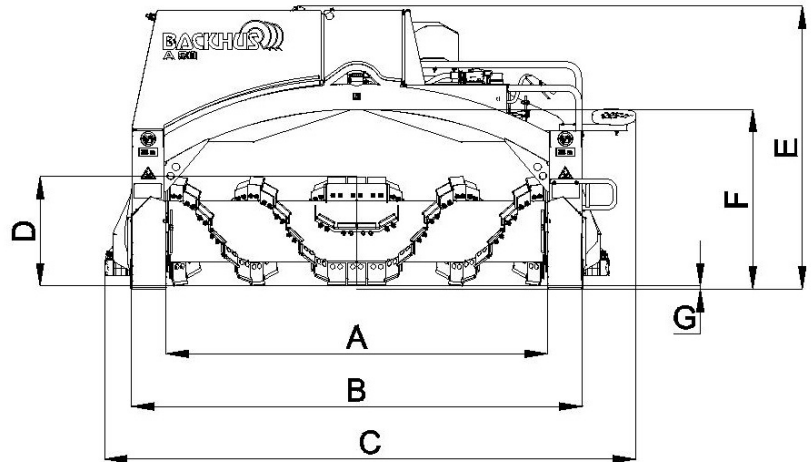
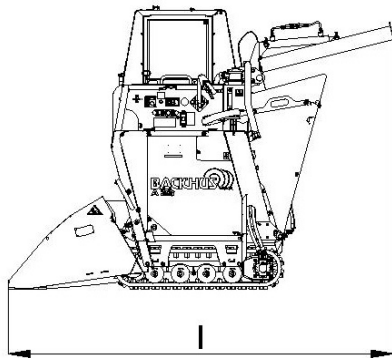


Figure similar

BACKHUS		A 30	
Working Data			
windrow width up to	B	ft	9.8
windrow height up to		ft	4.3
windrow cross section		yd <sup>2</sup>	2.6
surface utilization*		yd <sup>3</sup> /yd <sup>2</sup>	0.81
width track clearer		ft	0.7
cleaning share		%	2.2
contamination size up to		in	5.9
windrow movement during turning approx.		ft	4.9
turning capacity up to		yd <sup>3</sup> /h	900
rotor torque		lbf ft	959
rotor rotation speed		rpm	400
standard tools		pieces	62

\* at a dumping angle of 45°

\*\* Values may differ depending upon equipment.

Dimensions work			A 30
rotor diameter	D	in	28.7
length	I	ft	8.5
width	C	ft	11.6
height	E	ft	6.2
clearance width	A	ft	8.4
clearance height	F	ft	3.9
minimum ground clearance	G	in	0.4
maximum ground clearance	G	in	3.9
Dimensions transport			A 30
transport width	H	ft	4.4
transport length	J	ft	13.8
transport height	K	ft	6.2
track width	L	ft	9.2
turning diameter		ft	13.1
speed forwards and backwards		ft/min	0 - 164
weight up to**		t	1.9
maximum ground pressure**		psi	8.39
Engine			A 30
type			Yanmar 4TNV88 40 kW (53 PS) @ 2.400 or Yanmar 4TNV88 35,4 kW (47,5 PS) @ 3.000
emission level			IV EuroMot / Tier 4 or III A EuroMot / Tier 3
cylinder			4
three-phase generator		V / A	12 / 40
battery		V / Ah	12 / 88
fuel tank		l	50

\* at a dumping angle of 45°

\*\* Values may differ depending upon equipment.

#### Frame

portal frame  
corrosion-resistant 2-color lacquer coating  
Steel surfaces (except wear areas)  
Sa 2 1/2 blasted with DIN EN ISO 12944-4  
Coating in accordance with DIN EN ISO 12944-5  
Category C2  
Coat thickness 120µm (except powder coated areas)

#### Engine

Yanmar diesel engine  
electrical start / stop- function

#### Undercarriage

compact track drives with bolt on rubber pads  
independant hydraulic drives in closed circuit, infinitely  
variable adjustable

#### Rotor

hydraulic drive in closed circuit  
RPM adjustable under load  
turning direction reversible  
infinitely variable height adjustment under load  
bolted BACKHUS-standard-tools  
easily and quickly exchangeable

#### Hydraulic tailgate

#### Track clearer

automatic "Float feature" to compensate for uneven  
surfaces

hydraulically liftable

#### Delivery accessories

operating instructions and spare part catalogue according  
to CE-standard

one copy operating instructions in German and one copy in  
the official language of the European country of application  
(outside of Europe: English).

#### No machine commissioning included