

Technical data / delivery volume

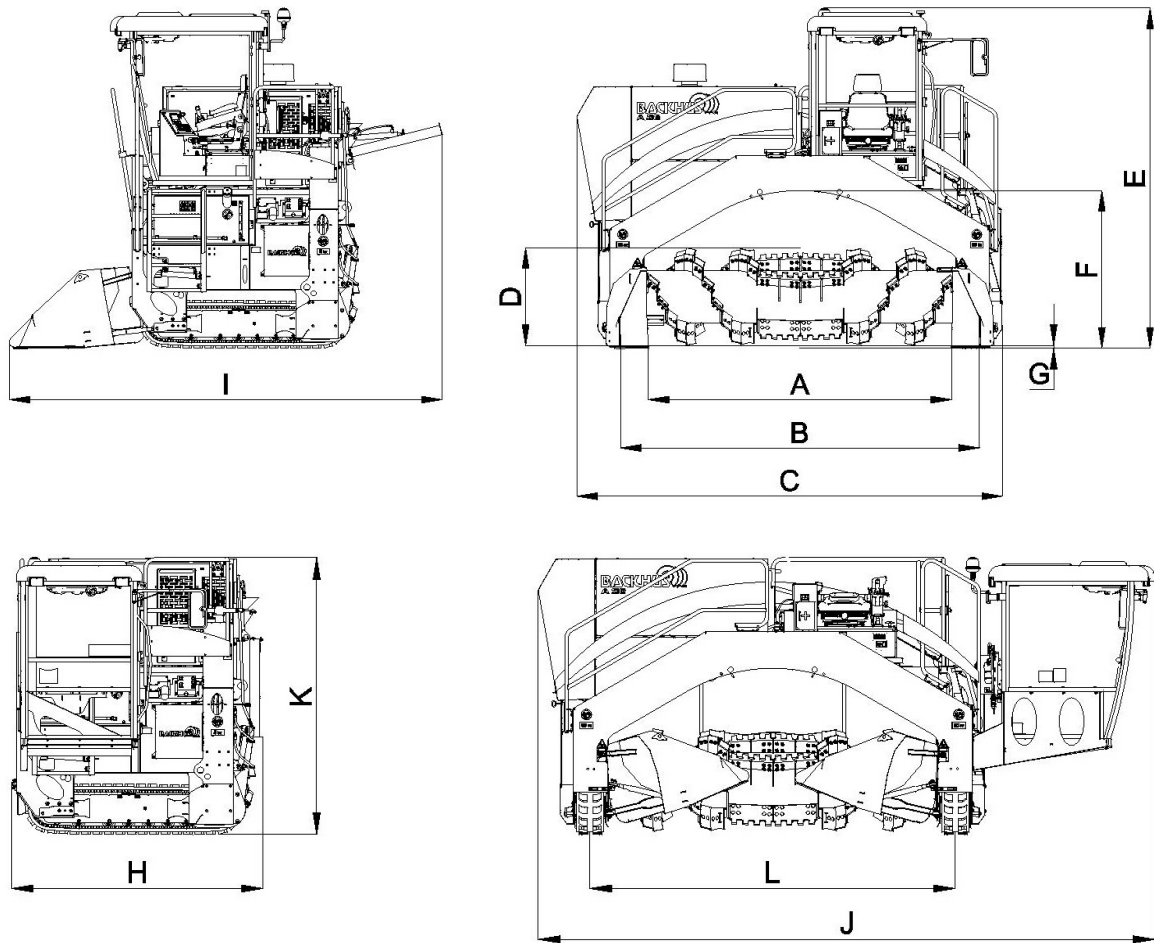


Figure similar

BACKHUS			A 36
Working Data			
windrow width up to	B	ft	11.8
windrow height up to		ft	5.9
windrow cross section		yd ²	3.9
surface utilization*		yd ³ /yd ²	0.98
width track clearer		ft	0.9
cleaning share		%	2.4
contamination size up to		in	7.9
windrow movement during turning approx.		ft	6.6
turning capacity up to		yd ³ /h	1,600
rotor torque		lbf ft	1,991
rotor rotation speed		rpm	350
standard tools		pieces	44
90° tools (L/R)		pieces	4
center throwing rakes		pieces	8

* at a dumping angle of 45°

** Values may differ depending upon equipment.

Dimensions work			A 36
rotor diameter	D	in	37.4
length	I	ft	13.8
width	C	ft	13.8
height	E	ft	11.0
clearance width	A	ft	10.0
clearance height	F	ft	5.1
minimum ground clearance	G	in	1.2
maximum ground clearance	G	in	7.9
Dimensions transport			A 36
transport width	H	ft	7.5
transport length	J	ft	18.9
transport height	K	ft	8.4
track width	L	ft	11.2
turning diameter		ft	7.4
speed forwards and backwards		ft/min	0-164
weight up to**		t	3.5
maximum ground pressure**		psi	7.11
Engine			A 36
type			Volvo TAD 5x0 105 kW (140 PS) @ 2.300
emission level			IV EuroMot / Tier 4 or III A EuroMot / Tier 3
cylinder			4
three-phase generator		V / A	24 /110
battery		V / Ah	2x 12 /145
fuel tank		l	200

* at a dumping angle of 45°

** Values may differ depending upon equipment.

Frame

portal frame
corrosion-resistant 2-color lacquer coating
Steel surfaces (except wear areas)
Sa 2 1/2 blasted with DIN EN ISO 12944-4
Coating in accordance with DIN EN ISO 12944-5
Category C2
Coat thickness 120µm (except powder coated areas)

Engine

Volvo Penta diesel engine
system with large mesh size

Undercarriage

compact track drives with bolt on rubber pads
independent hydraulic drives in closed circuit, infinitely variable adjustable

Rotor

hydraulic drive in closed circuit
RPM adjustable under load
turning direction reversible
infinitely variable height adjustment under load
bolted tools
easily and quickly exchangeable
center throwing rakes
for maximum windrow aeration

Hydraulic tailgate

Track clearer

automatic "float feature" to compensate for uneven surfaces
independently hydraulically height adjustment

Hydraulics

hydraulic oil cooler with reversion of maximum air flow in both directions
reflux suction filtration with fiber glass filter cells
electric level and filter monitoring
magnetic valve with LED-performance indicator

Cab

comfortable, spring loaded driver seat
single-lever control with joystick
4.3" color display
Details of machine status
BACKHUS DIAGNOSTIC MANAGEMENT (BDM)

bluetooth radio with CD receiver
bluetooth phone connection possible
cabin filter according to G4 (EU4)
according to DIN EN 779 (DIN 24 185)

warm water heating with ventilation
automatic air-conditioning system
machine monitoring

with visual and acoustic warning
acoustic operation warning
acoustic back up warning

Delivery accessories

2 LED head lamps in the front of the cabin roof
2 LED head lamps in the back of the cabin roof
first-aid box
dismountable tool box
operating instructions and spare parts catalogue according to CE-standard
one copy operating instructions in German and one copy in the official language of the European country of application (outside of Europe: English).

Machine control

BACKHUS Track Control (BTC)
load sensing track drive control (overload control function)
automatic drive with precise control

Introduction in the machine

theoretical and practical training