

## Technical data / delivery volume

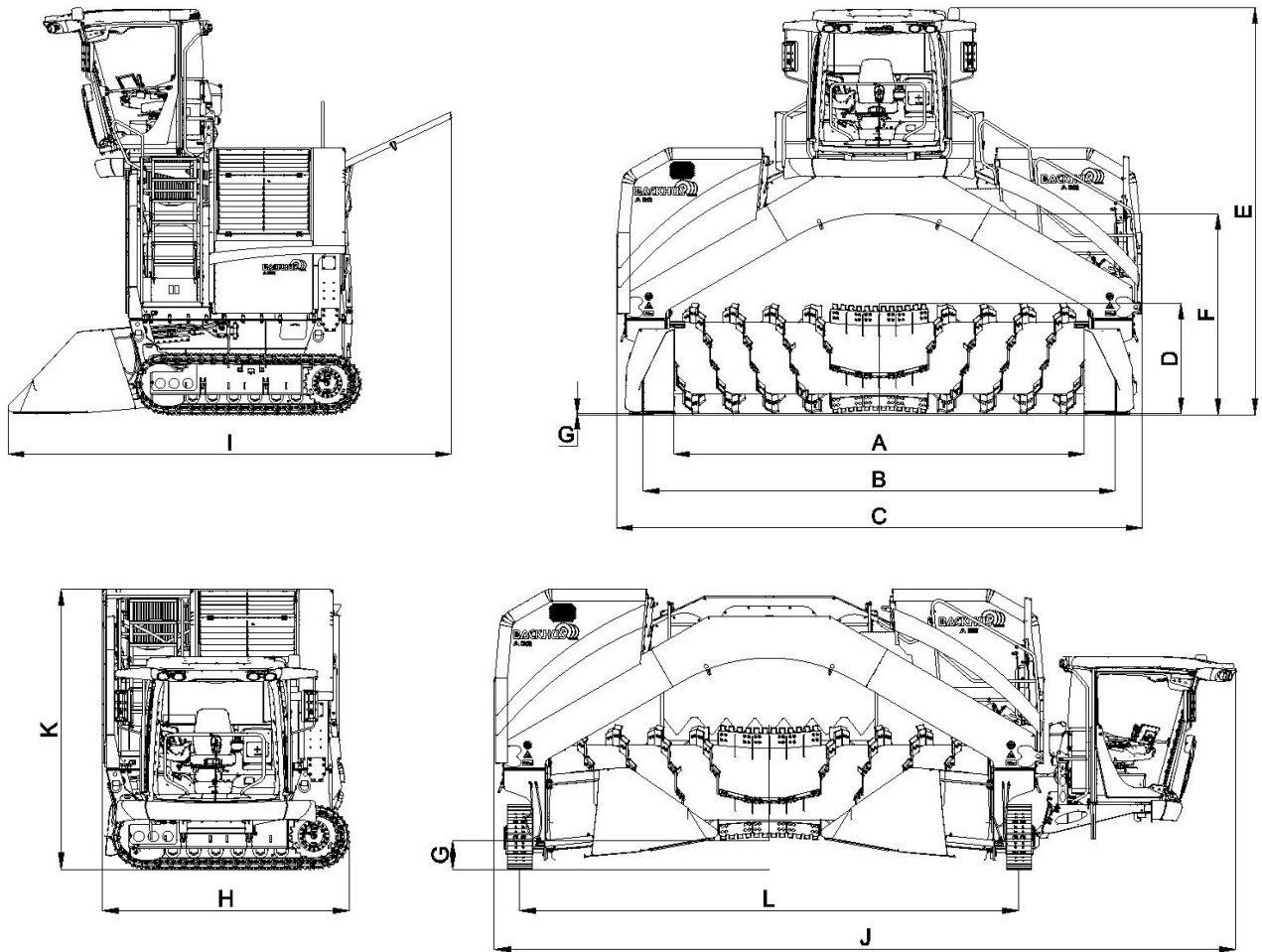


Figure similar

BACKHUS			A 60	A 65
Working Data				
windrow width up to	B	ft	19.7	21.3
windrow height up to		ft	8.9	9.5
windrow cross section		yd <sup>2</sup>	10.7	12.5
surface utilization*		yd <sup>3</sup> /yd <sup>2</sup>	1.62	1.76
width track clearer		ft	1.3	
cleaning share		%	1.8	1.5
contamination size up to		in	11.8	
windrow movement during turning approx.		ft	9.8	
turning capacity up to		yd <sup>3</sup> /h	6,000	6,500
rotor torque		lbf ft	13,424	
rotor rotation speed		rpm	200	
standard tools		pieces	84	96
90° tools (L/R)		pieces	12	
center throwing rakes		pieces	12	

\* at a dumping angle of 45°

\*\* Values may differ depending upon equipment.

Dimensions work			A 60	A 65
rotor diameter	D	in	55.1	
length	I	ft	19.7	
width	C	ft	22.0	23.6
height	E	ft	16.6	17.1
clearance width	A	ft	17.8	19.5
clearance height	F	ft	8.4	8.9
minimum ground clearance	G	in	1.2	
maximum ground clearance	G	in	13.8	
Dimensions transport			A 60	A 65
transport width	H	ft	9.7	
transport length	J	ft	29.5	31.2
transport height	K	ft	11.2	
track width	L	ft	19.9	21.6
turning diameter		ft	26.2	27.6
speed forwards and backwards		ft/min	0-197	
weight up to**		t	19.0	19.5
maximum ground pressure**		psi	21.19	22.76
Engine			A 60	A 65
type			Volvo TAD 13x3 VE 345 kW (470 PS) @ 1.900	
emission level			EU stage IV / EPA Tier 4 or EU stage III A / EPA Tier 3	
cylinder			6	
three-phase generator		V / A	24 / 110	
battery		V / Ah	2x12 / 225	
fuel tank		l	750	

\* at a dumping angle of 45°

\*\* Values may differ depending upon equipment.

## Frame

box construction  
corrosion-resistant 2-color lacquer coating  
steel surfaces (except wear areas)  
Sa 2 1/2 blasted with DIN EN ISO 12944-4  
coating in accordance with DIN EN ISO 12944-5  
category C2  
coat thickness 120µm (except powder coated areas)

## Engine

Volvo Penta diesel engine  
electronic engine management  
intake air pre-filter  
side-by-side cooling system with large mesh size  
reversing cooling fans assure maximum air flow in both directions  
trapezoidal perforated sheet for pre-cleaning cooling air  
electrically actuated engine hood opens widely to form a work platform

## Undercarriage

compact track drives with bolt on rubber pads  
independent hydraulic drives in closed circuit, infinitely variable adjustable

## Rotor

hydraulic drive in closed circuit  
RPM adjustable under load  
turning direction reversible  
infinitely variable height adjustment under load  
rotor height indicator on display  
bolted tools  
armored  
easily and quickly exchangeable  
center throwing rakes  
for maximum windrow aeration

## Hydraulic tailgate

### Track clearer

automatic "float feature" to compensate for uneven surfaces  
independently hydraulically height adjustment

### Hydraulics

hydraulic oil cooler with reversion of maximum air flow in both directions  
reflux suction filtration with fiber glass filter cells  
electric level and filter monitoring  
magnetic valve with LED-performance indicator

## Panorama-ease and convenience cabin

infinitely adjustable air ride seat for driver  
Arm rests with operating controls  
one-lever steering with joystick  
Generous interactive 12.1" TFT touch screen  
Details of machine status  
BACKHUS DIAGNOSTIC MANAGEMENT (BDM)  
Complete user manual  
bluetooth radio with CD receiver  
bluetooth phone connection possible  
cabin filter according to G4 (EU4)  
according to DIN EN 779 (DIN 24 185)  
warm water heating with three-stage ventilation  
automatic air-conditioning system  
side window can be opened  
all around sun protection

## Electrical equipment

4 LED head lights, in the front roof of the cabin  
2 LED head lights, behind the cabin  
rotating beacon  
machine monitoring  
with visual and acoustic warning  
acoustic operation warning  
acoustic back up warning

## Delivery accessories

amply access and railing  
dismountable tool box  
first-aid box  
operating instructions according to CE-standard  
one copy operating instructions in German and one copy in the official language of the European country of application (outside of Europe: English).

## Machine control

BACKHUS Track Control (BTC)  
load sensing track drive control (overload control function)  
automatic drive with precise control

## Introduction in the machine

theoretical and practical training