

technical data / delivery volume

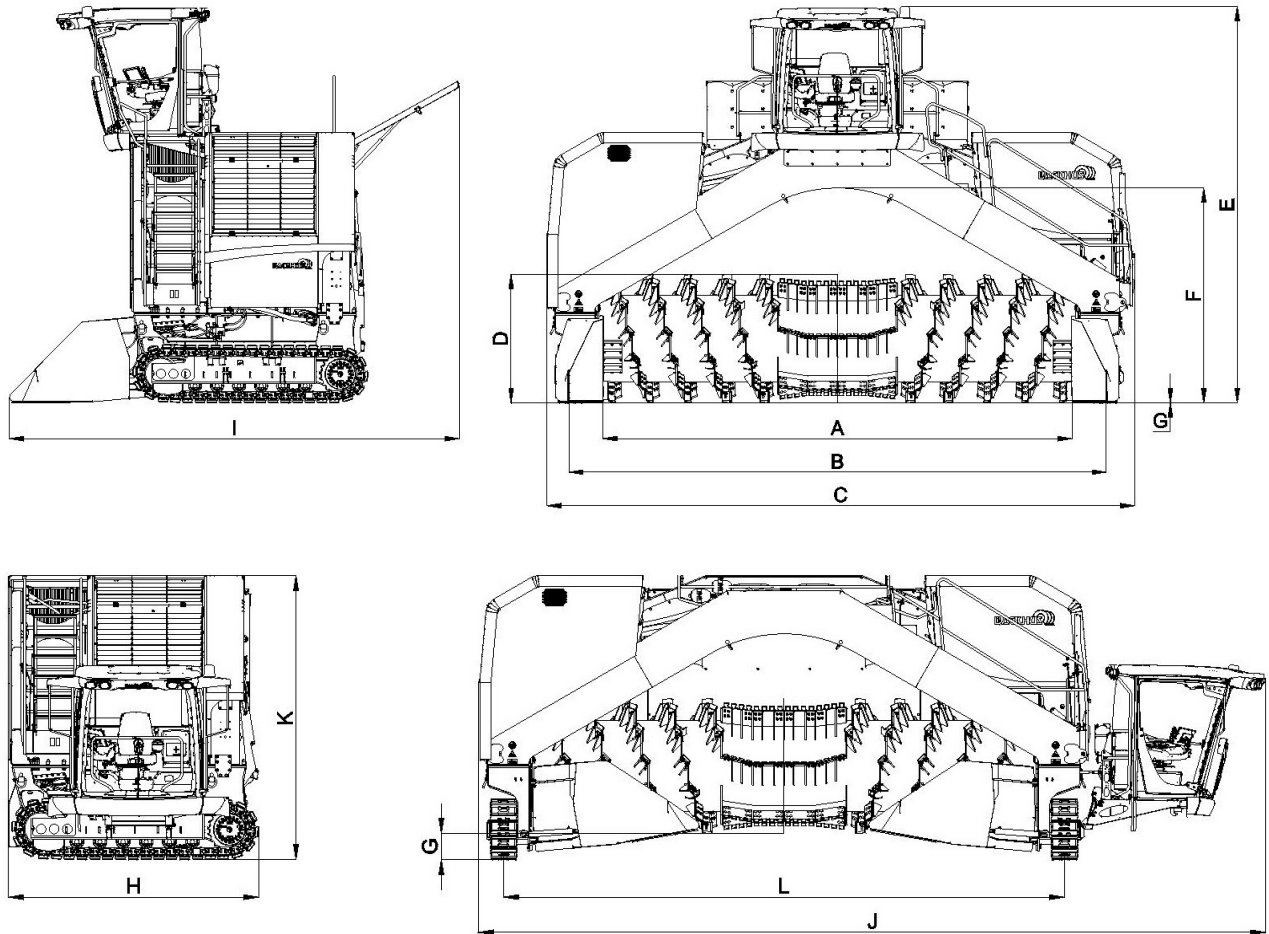


Figure similar

BACKHUS			A 70	A 75
Working Data				
windrow width up to	B	ft	23.0	24.6
windrow height up to		ft	10.5	10.8
windrow cross section		yd ²	14.5	16.6
surface utilization*		yd ³ /yd ²	1.90	2.02
width track clearer		ft	1.3	
cleaning share		%	1.3	1.2
contamination size up to		in	11.8	
windrow movement during turning approx.		ft	11.5	
turning capacity up to		yd ³ /h	7,600	8,900
rotor torque		lbf ft	26,847	
rotor rotation speed		rpm	150	
standard tools		pieces	80	92
90° tools (L/R)		pieces	16	
center throwing rakes		pieces	24	
peeling tools		pieces	4	

* at a dumping angle of 45°

** Values may differ depending upon equipment.

Dimensions work			A 70	A 75
rotor diameter	D	in	70.9	
length	I	ft	20.8	
width	C	ft	25.3	26.9
height	E	ft	18.0	18.4
clearance width	A	ft	20.7	22.3
clearance height	F	ft	9.5	9.8
minimum ground clearance	G	in	1.2	
maximum ground clearance	G	in	13.8	
Dimensions transport			A 70	A 75
transport width	H	ft	11.0	
transport length	J	ft	33.1	34.8
transport height	K	ft	12.5	
track width	L	ft	23.0	24.6
turning diameter		ft	29.2	30.5
speed forwards and backwards		ft/min	0-197	
weight up to**		t	27.5	31
maximum ground pressure**		psi	22.19	22.47
Engine			A 70	A 75
type			Volvo TAD 16x1 VE 450 kW (612 PS) @ 1.900	
emission level			EU Stage IV / EPA Tier 4 or EU Stage III A / EPA Tier 3	
cylinder			6	
three-phase generator		V / A	24 / 110	
battery		V / Ah	2x12 / 225	
fuel tank		l	1000	

* at a dumping angle of 45°

** Values may differ depending upon equipment..

Frame

box construction
corrosion-resistant 2-color lacquer coating
steel surfaces (except wear areas)
Sa 2 1/2 blasted with DIN EN ISO 12944-4
coating in accordance with DIN EN ISO 12944-5
category C2
coat thickness 120µm (except powder coated areas)

Engine

Volvo Penta diesel engine
electronic engine management
intake air pre-filter
side-by-side cooling system with large mesh size
reversing cooling fans assure maximum air flow in both directions
trapezoidal perforated sheet for pre-cleaning cooling air
electrically actuated engine hood opens widely to form a work platform

Undercarriage

compact track drives with bolt on rubber pads
independent hydraulic drives in closed circuit, infinitely variable adjustable

Rotor

hydraulic drive in closed circuit
RPM adjustable under load
turning direction reversible
infinitely variable height adjustment under load
rotor height indicator on display
bolted tools
armored
easily and quickly exchangeable
center throwing rakes
for maximum windrow aeration

Hydraulic tailgate

Track clearer

automatic "float feature" to compensate for uneven surfaces
independently hydraulically height adjustment

Hydraulics

hydraulic oil cooler with reversion of maximum air flow in both directions
reflux suction filtration with fiber glass filter cells
electric level and filter monitoring
magnetic valve with LED-performance indicator

Panorama-ease and convenience cabin

infinitely adjustable air ride seat for driver
Arm rests with operating controls
one-lever steering with joystick
Generous interactive 12.1" TFT touch screen
Details of machine status
BACKHUS DIAGNOSTIC MANAGEMENT (BDM)
Complete user manual
bluetooth radio with CD receiver
bluetooth phone connection possible
cabin filter according to G4 (EU4)
according to DIN EN 779 (DIN 24 185)
warm water heating with three-stage ventilation
automatic air-conditioning system
side window can be opened
all around sun protection

Electrical equipment

4 LED head lights, in the front roof of the cabin
2 LED head lights, behind the cabin
rotating beacon
machine monitoring
with visual and acoustic warning
acoustic operation warning
acoustic back up warning

Delivery accessories

amply access and railing
dismountable tool box
first-aid box
operating instructions according to CE-standard
one copy operating instructions in German and one copy in the official language of the European country of application (outside of Europe: English).

Machine control

BACKHUS Track Control (BTC)
load sensing track drive control (overload control function)
automatic drive with precise control

BACKHUS Management System (BMS)

Including BACKHUS Track Control (BTC)
Diesel engine management with power control function
The driver merely determines the maximum speeds of the chassis and the rotor or belt drives. The optimum number of revolutions of the diesel engine is independently adjusted as well as the hydraulic components including the fan control of the cooling systems.
Display for comfortable machine control with intelligent/ergonomic menu control.

Introduction in the machine

theoretical and practical training