



S130 HIGH ENERGY SCREENER

Available in a three and four way split, the McCloskey® S130 High Energy Screener is used across a wide range of applications, including aggregate, coal, crusher circuits and wood chips. The S130 is renowned for its fine sand screening and is impressing customers worldwide with its production capacities.

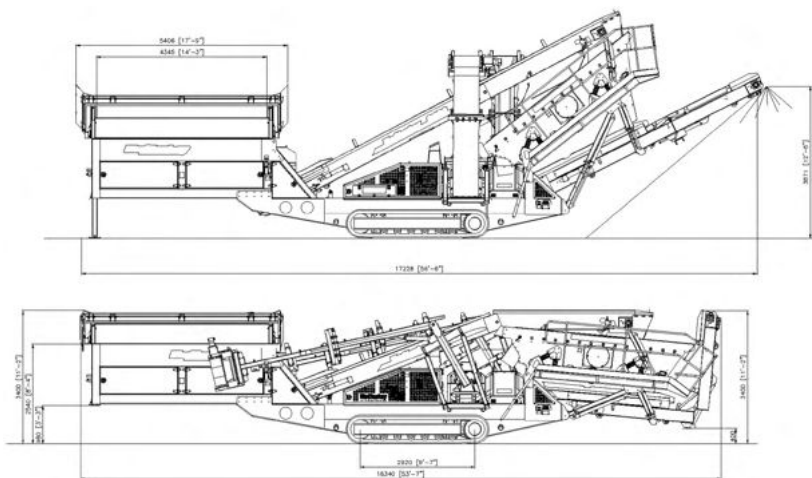
FEATURES

- ✓ 4270mm x 1524mm (14' x 5') heavy duty high energy 2 bearing 2 deck screenbox
- ✓ 97kW (130Hp) Engine
- ✓ Track or wheel mobile
- ✓ Integrated hydraulic folding stockpiling conveyors
- ✓ 3 Deck auxiliary conveyor attaches to machine for one unit transport
- ✓ Remote control tipping grid
- ✓ Fast on-site setup time – 15 minutes typically



With the S130, you get class-leading S-Range features like the aggressive High Energy Screenbox and user-friendly operation.

The S130 screener is also available as a Triple Deck and boasts an array of features and benefits which elevate the models above all the competitors in its class. The S130 Triple Deck has comparable production capacity to larger models at a far more cost effective price. The dual power model boosts fuel efficiency, reducing costs, and is perfect where environmental, legislative, or noise constraints are present.



TECH SPECS

Engine	97kW (130 Hp) Diesel or Dual Power
Stockpile Height	
Tail Conveyor	3871mm (12' 8")
Side Conveyor	4600mm (15' 1")
Screenbox	
Top Deck	4270mm x1524mm (14' x 5')
Bottom Deck	3660mm x1524mm (12' x 5')

TRANSPORT

Transport Height	3.40m (11' 2")
Transport Length	
12' Hopper	15.61m (51' 2")
15' Hopper	16.52m (54' 2")
Transport Width	
2 Deck	3m (9' 11")
3 Deck	3.34m (10' 8")
Weight 2 Deck	
2 Deck	28,000kgs (71,729 lbs)
3 Deck	32,000kgs (70,547 lbs)

OPTIONS

Single or double deck live head | Single shaft shredder | Dual power