

McCourt Equipment, Inc.
5141 W State Highway 71
La Grange, Texas 78945



Office 979-242-5298
Fax 979-242-5292
Toll Free 888-838-9252

www.mccourtequipment.com

Superior 8" x 16' Portable Feed Hopper

Year: 2025

Serial Number: 2627863

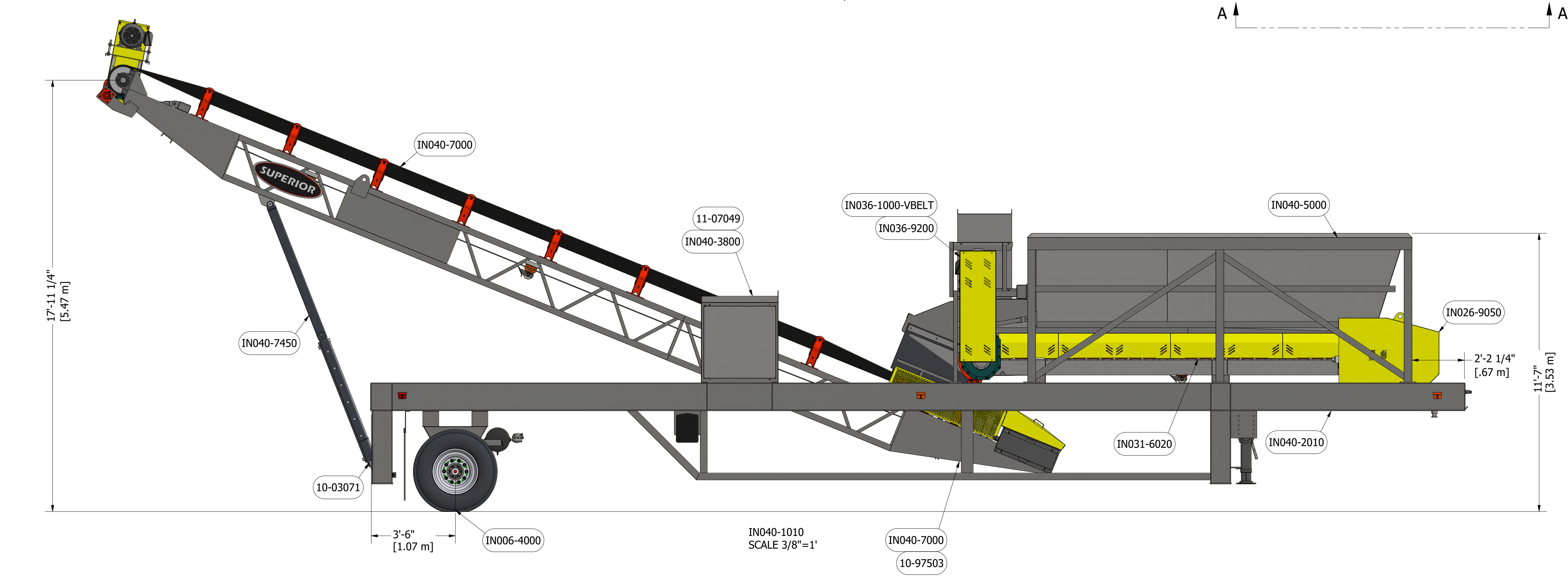
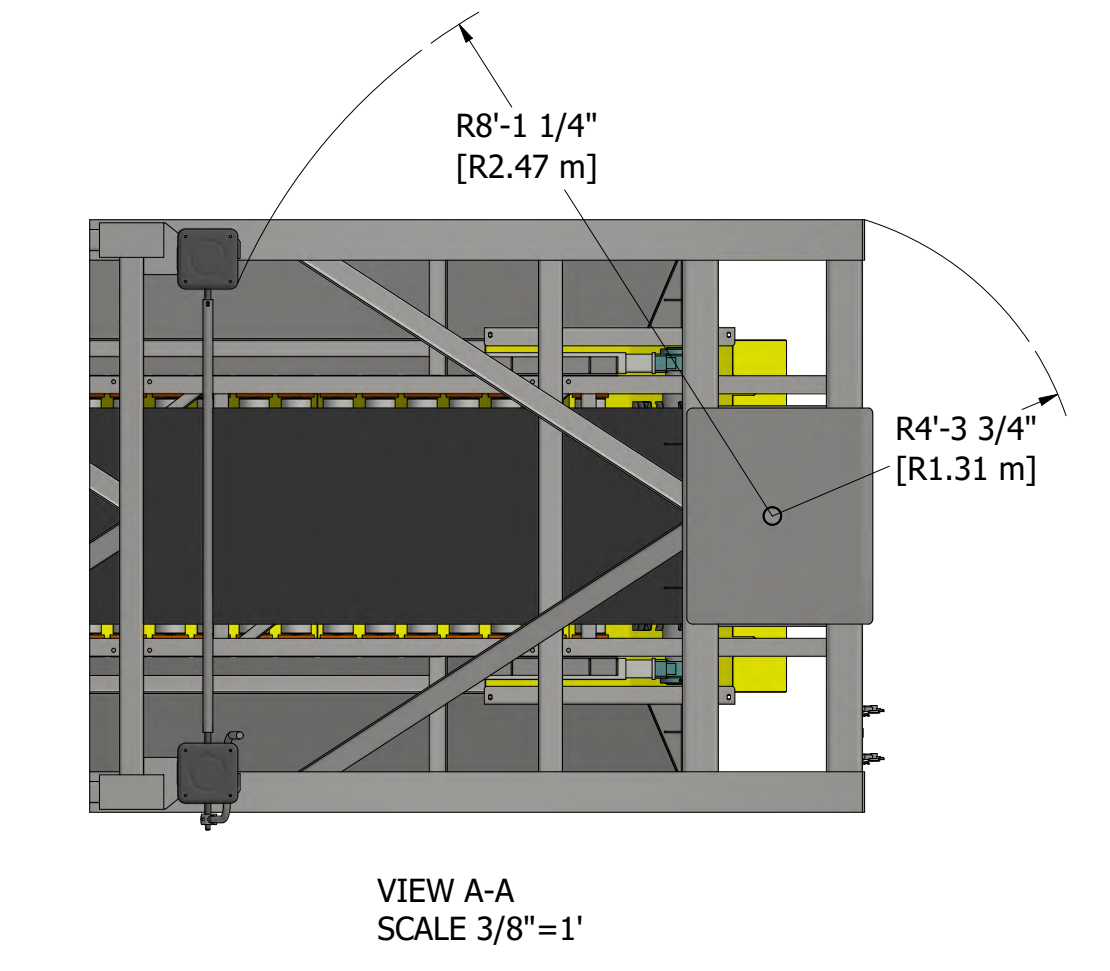
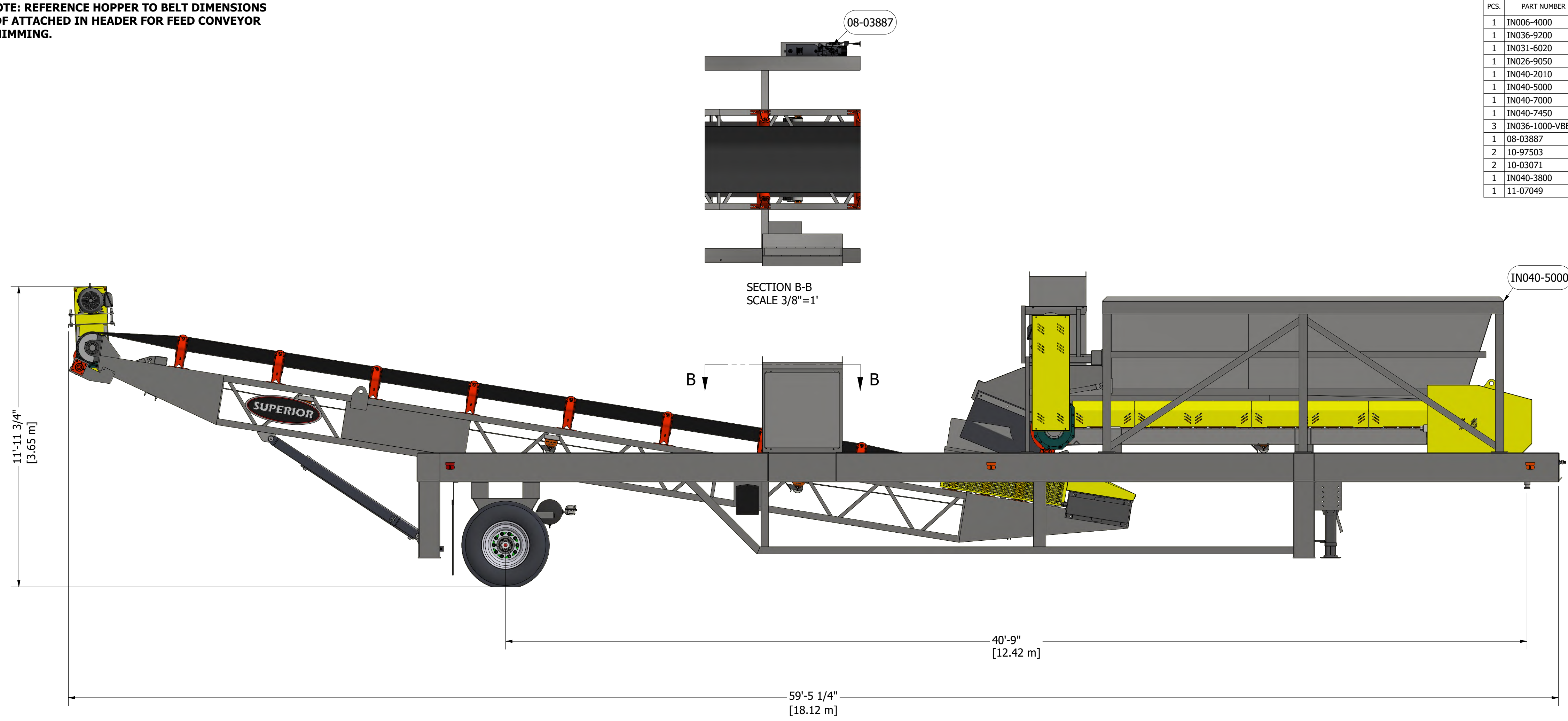
Approx. Hours: Electric





NOTE: REFERENCE HOPPER TO BELT DIMENSIONS PDF ATTACHED IN HEADER FOR FEED CONVEYOR SHIMMING.

PCS.	PART NUMBER	PT. REV.	ITEM NO.	ITEM DESCRIPTION	NOTES	WEIGHT	PC SZ	UOM	W.C.
1	IN006-4000		D-IN006-4000	SINGLE, 25K-AXLE, 77.5" TRACK, 49" HEIGHT, P/W/A		2405.25	1.00	EA	
1	IN036-9200		D-IN036-9200	GUARD, DRIVE, 34.375" - 40.375" C-C, 13" SHEAVE, 5.2" DP, P/W		74.16	1.00	EA	
1	IN031-6020		D-IN031-6020	BELT-FEEDER-CONVEYOR, 36" X 18", SLIDE-OUT, TA5-215, ASSEMBLY		3798.20	1.00	EA	
1	IN026-9050		D-IN026-9050	GUARD, BELT-FEEDER-TAIL-SECTION, TAKE-UP-ADJUSTABLE, 14" PULLEY, P/W/A		267.28	1.00	EA	
1	IN040-2010		D-IN040-2010	MAINFRAME, ACCESSORIES, 92" C/C, 8X16.36X40PFHBC, P/W/A		6851.09	1.00	EA	
1	IN040-5000		D-IN040-5000	HOPPER, 8X16, BELT-FEEDER, BREAKER-BAR, 1/4" PLATE, P/W/A		6241.07	1.00	EA	
1	IN040-7000		D-IN040-7000	CONV, DISC, 36" BW, 40" LG, 20HP, TA3203H15, 14" DRUM, 14" TAIL, P/W/A		6007.47	1.00	EA	
1	IN040-7450		D-IN040-7450	UNDERCARRIAGE, 5X60-LIFT-CYL, 92.5-150.1875" MOTION, P/W/A		609.71	1.00	EA	
3	IN036-1000-VBELT	0	07-00853	V-BELT, BX098		1.54	1.00	EA	
1	08-03887		08-03887	HYD-UNIT, 12VDC, 2GAL, KTI, DIR-CONTROL, TANK & PENDANT		0.00	1.00	EA	
2	10-97503	0	10-97503	PIN, 1.4375, 5-6		2.90	1.00	EA	
2	10-03071	0	10-03071	PIN, 1.50, 6-4		3.46	1.00	EA	
1	IN040-3800		D-IN040-3800	ELECTRICAL-PANEL-STAND, BOLT-ON, 36HX36WX10D, P/W/A		91.53	1.00	EA	
1	11-07049		11-07049	ENCL, 480V, 20, 15, PFH, VFD, GEN-4, FLANGE-MNT, ABB		1233.91	1.00	EA	



INVENTOR DRAWING: DO NOT MODIFY WITH ANY OTHER PROGRAM.

CONFIDENTIAL AND PROPRIETARY. THIS DRAWING IS THE PROPERTY OF SUPERIOR INDUSTRIES. IT IS NOT TO BE USED, DISTRIBUTED, OR REPRODUCED IN ANY MANNER WITHOUT EXPRESS WRITTEN PERMISSION OF SUPERIOR INDUSTRIES.

SUPERIOR 315 E Highway 28
P.O. Box 684
Morris, MN 56267 USA

8X16 FEED HOPPER PORTABLE PLANT,
36" BELT-FEEDER, 36" DISCH-CONV, 1-AXLE,
ASSEMBLY GA

SCALE (UNO) 3/8"=1'
FILE VAULT\IN040-1010

DRAWN BY R. TRAVERS
CHECKED D. MATCHETT
DATE 10/16/2024
SIZE D
ASSEMBLY NO. IN040-1010

E-1 PART NO. F8X16.36X40PFHBC
WEIGHT 27597
SHEET 1 OF 1

THIRD ANGLE PROJECTION

**Superior 8' x 16' Portable Feed Hopper****Chassis Specifications**

Construction	Main frame constructed of wide flange structural beams
Axle	Single axle , with (4) 11Rx22.5 tires
Landing Gear	Crank-down
Fifth Wheel	Included
Brakes	Complete air brake package
Lights	Brake and directional signals
Mud flaps	Installed behind transport wheels
Grease package	Not included
Frame Skirting	Not Included

Hopper Specifications

Hopper size	8' x 16' top opening
Hopper Construction	Fabricated with 1/4" plate, reinforced around top and bottom
Hopper Capacity	10 cubic yards struck
Bottom Opening	tapered, with I-beam breaker bar
Control Gate	Manual adjusted control gate included
Hopper Skirting	not included

Grizzly Specifications

Grizzly Bars	Not included
Bar Spacing	Not included
Self relieving Grizzly Bars	Not included
Grizzly Raise	Not included
Bi-Directional Grizzly	Not included

Belt Feeder

BF Size	36" wide x 18' long
BF Drive	Class I head end
BF Gear Reducer	Shaft mount
BF Motor	15 HP TEFC
BF V-Belt Drive	with drive guard
BF Capacity	250-850 STPH of 100 PCF material, 25° surcharge (90% fines, 10% spherical lumps 4" minus)
BF Speed	Variable from 24 to 95 fpm
BF Idlers	Superior CEMA C, 5" dia. steel rolls, sealed for life ball bearings
BF Flat Carrier	7" spacing steel rolls
BF Returns	Steel rolls, on 10' spacing
BF Gathering Trough	With adjustable rubber flashing
BF Scraper	Superior Exterra® Primary Belt Scraper

Discharge Conveyor

DC Size	36" wide x 40' long
DC Drive	Class I head end
DC Gear Reducer	Included shaft mount
DC Motor	20 hp
Backstop	Installed in reducer
DC V-belt drive	With drive guard
DC Capacity	850 STPH of 100 PCF material, 25° surcharge (90% fines, 10% lumps 4" minus)
DC Belt speed	350 fpm
DC Idlers	Superior CEMA C, 5" dia. rolls, sealed for life ball bearings
DC Load Area	20° trough impact idlers, 12-16" spacing
DC Trough	35° trough, steel rolls, on 4' spacing
DC Returns	flat steel rolls, on 10' spacing
DC Gathering trough	With adjustable rubber flashing
DC Rock guard	not included
DC Scraper	Not included
Raise	12V hydraulic pump



Superior 8' x 16' Portable Feed Hopper

Conveyor Components

Drive pulleys	14" diameter, 3/8" herringbone lagged MD drum (Feeder)14" diameter, 3/8" herringbone lagged drum (Discharge)
Tail pulleys	14" diameter wing
Shafts	Turned and polished
Bearings	Included
Take ups	Screw type
Belting	3-ply 3/16 x 1/16 330 PIW
Belt splice	Factory vulcanized splices

Additional Specifications

Guarding	For drive and tail pulleys, v-belt drive and return idlers. Guards may not meet all local codes; customer is responsible to have guarding inspected
Voltage	480 V / 3 PH / 60 Hz - 1800RPM
Electrical	enclosure with main disconnect, circuit breaker, and controller for variable frequency drive
Remote Control	Wireless remote controls belt drive and hydraulic grizzly dump
Paint	1 coat primer, 1 coat finish enamel Graphite Gray
Guard Paint	Yellow
Idler Paint	Powder coated Superior Orange
Owner's Manual	(1) copy included for operation and maintenance



Superior 8' x 16' Portable Feed Hopper

Options

Chassis Options

Hydraulic Lift-Only Leveling Legs	Hydraulic lift-only leveling legs with 9 HP Power Unit	\$16,820	<input type="checkbox"/>
Hydraulic Lift-Only Leveling Legs 12V	Hydraulic lift-only leveling legs with 12v Power Unit	\$16,300	<input type="checkbox"/>
Hydraulic Run-On Legs	Hydraulic Run-on leveling legs with 9 HP Power Unit	\$25,865	<input type="checkbox"/>
Grease package	Remote grease stations, multiple grease points on the outside of chassis frame	\$1,565	<input type="checkbox"/>
Frame skirting one side	Sheet metal side guard runs full length of hopper, under trailer frame; front section folds up for transport. ONE Side (Select Center Side or Ditch Side)	\$505	<input type="checkbox"/>
Frame skirting both sides	Sheet metal side guard runs full length of hopper, under trailer frame; front section folds up for transport. BOTH Sides	\$1,010	<input type="checkbox"/>

Hopper Options

Hopper Liner	Fabricated with 1/4" plate with weld in 1/4" AR400 liner, reinforced around top and bottom	\$14,470	<input type="checkbox"/>
Hopper skirting one side	Sheet metal side guard runs full length of hopper for protection of belt feeder, ONE Side (Select Center Side or Ditch Side)	\$3,175	<input type="checkbox"/>
Hopper skirting both sides	Sheet metal side guard runs full length of hopper for protection of belt feeder, BOTH Sides	\$6,350	<input type="checkbox"/>

Grizzly Options

Grizzly Bars	Triangle bars; 3/4" x 4" flat bars on top with 3/8" x 4" flat side bars, adjustable spacing	\$34,635	<input type="checkbox"/>
Round Grizzly Bars	Bars are of round 2 1/2" construction with 1x7" flatbar welded under adjustable grizzly bars	\$7,290	<input type="checkbox"/>
4" bar spacing	4" Spacing between grizzly bars	\$4,375	<input type="checkbox"/>
8" bar spacing	8" Spacing between grizzly bars	-\$2,625	<input type="checkbox"/>
Self relieving Grizzly Bars	Every other bar is self-relieving	\$2,720	<input type="checkbox"/>
Hydraulic Grizzly Raise	Grizzly raises and lowers hydraulically, 15hp electric pumping unit, electrical controls. 70-75° dump angle	\$11,735	<input type="checkbox"/>
Bi-Directional Grizzly	Grizzly dumps to either side	\$810	<input type="checkbox"/>

Conveyor Options

Belt Feeder & Discharge Conveyor 42"BW	Belt Feeder increased to 42"BW, Motor increases to 20 hp, Capacity increases to 360 - 1200 STPH, Belt Speed increases to 34 - 137 fpm. Discharge Conveyor increase to 42"BW, Motor increases to 30 hp, Capacity increases to 1200 STPH	\$12,710	<input type="checkbox"/>
BF Impact Flat Carrier	7" spacing impact rolls	\$2,520	<input type="checkbox"/>
BF Canoe Liners	Canoe Liners with adjustable rubber flashing	POR	<input type="checkbox"/>
DC Rock guard	Entire length of conveyor	\$2,885	<input type="checkbox"/>
Hydraulic raise	12V hydraulic pump	\$5,130	<input checked="" type="checkbox"/>
BF Primary Scraper	Superior Exterra® Primary Belt Scraper	\$935	<input checked="" type="checkbox"/>
DC Scraper	Superior Exterra® Primary Belt Scraper	\$935	<input checked="" type="checkbox"/>
Vulcanized splice	Factory vulcanized splices	\$3,940	<input checked="" type="checkbox"/>

Control Options

575V	575 V / 3 PH / 60 Hz - 1800RPM	\$0	<input type="checkbox"/>
380V	380 V / 3 PH / 50 Hz - 1500RPM	\$0	<input type="checkbox"/>
Remote Control	Wireless remote controls belt drive and hydraulic grizzly dump	\$5,275	<input checked="" type="checkbox"/>

Additional Options

PORTABLE FEED HOPPERS



PORTABLE FEED HOPPER PLANTS

SPECIFICATIONS						
Model #	Main Equipment	Capacity STPH (MTPH)	Suspension	Weight lb (kg)	Hopper Capacity yd ³ struck (m ³ struck)	Hopper Capacity tons@100PCF (tonnes@100PCF)
PFH10	8'x16' Hopper 18' Belt Feed Conveyor 40' Discharge Conveyor	250-850 (225-770)	1 Axle	37,400 (16,960)	10 (7.6m ³)	13.5 (12.25 tonnes)
PFH10	8'x16' Hopper 18' Belt Feed Conveyor 50' Discharge Conveyor	250-850 (225-770)	2 Axle	43,900 (19,910)	10 (7.6m ³)	13.5 (12.25 tonnes)
PFH15	9'x18' Hopper 20' Belt Feed Conveyor 40' Discharge Conveyor	250-850 (225-770)	2 Axle	Call Factory	15 (11.4m ³)	20.25 (18.37 tonnes)